



Dimensions

A (mm)

D (mm)

E (mm)

F (mm)

G (mm)

H (mm)

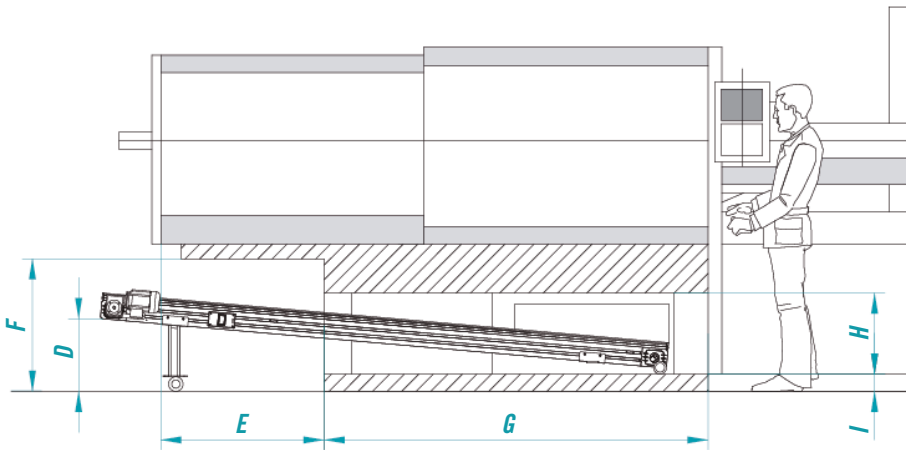
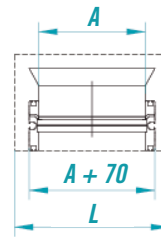
I (mm)

L (mm)

Capacity (kg)

Material to be conveyed

Specify presence of lubricant, coolant or other fluid, if present.



Notes



Standard features

DRIVE UNIT

- Position: LH side
- Speed: 5,8 m/min fixed
- Voltage: 400 V / 50 Hz
- With ON/OFF switch

BELT

- Smooth green PU covering (ref. Pantone 320)
- Vulcanized belt joint
- Operating temperature: -10 °C to +90 °C



Options

DRIVE UNIT

- Mounted on opposite side: RH side
- Drum motor (drive roller)

SPECIAL BELTS

- Smooth green PU covering (ref. Pantone 320) with slats
- h = mm (standard 20/30/50),
- pitch = mm (standard 400)

- For high temperature (max 110 °C, with momentary peaks up to 130 °C)
- High grip, green PVC (ref. Pantone 320)

CONTROL PANEL

- INVERTER: adjustable speed from to m/min
- PAUSE/WORK: timed run and stop
- PULSE: timed run activated by voltage-free external signal
- FEEDER: run and stop controlled by voltage-free external signal

SUPPORTS

- Wheels with brake (standard)
- Anti-vibration feet
- Anti-vibration feet + Wheels